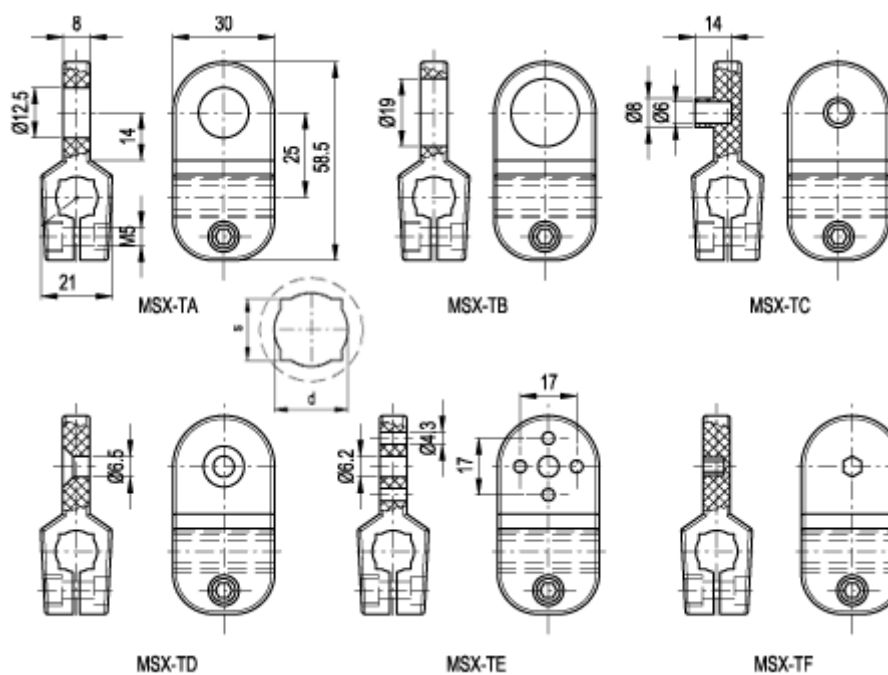


Article number: 2310440149

Description: E+G MSX Device clamp
MSX.56-TE-12-14

Measures



| | |
|---------------------|-------------------|
| d | = 14 |
| Rotation resistance | = 5 |
| s | = 12 |
| Torque (N m) | = 1100 |
| Type | = MSX.56-TA-12-14 |